

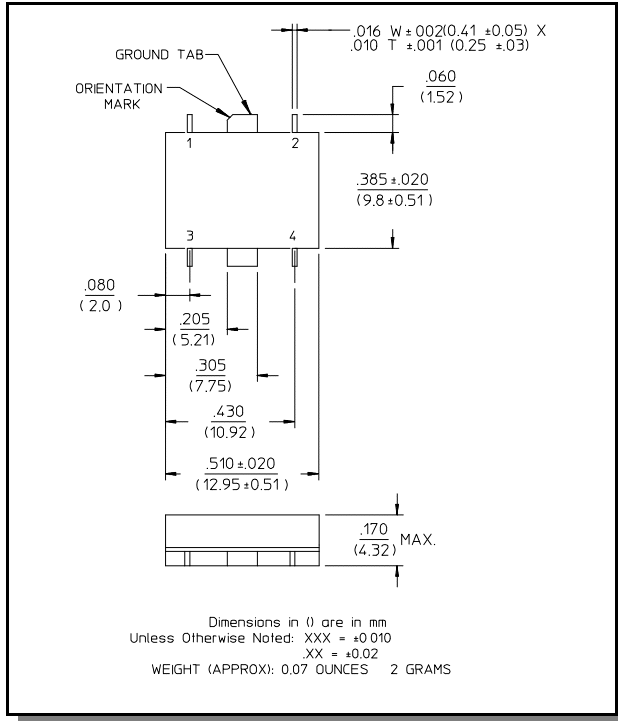
Features

- Constant Coupling - Within ± 0.5 dB Max.
- MIL-STD-202 Screening Available

Description

Bi-Directional Couplers offer the ability to couple the power in two directions while maintaining directivity.

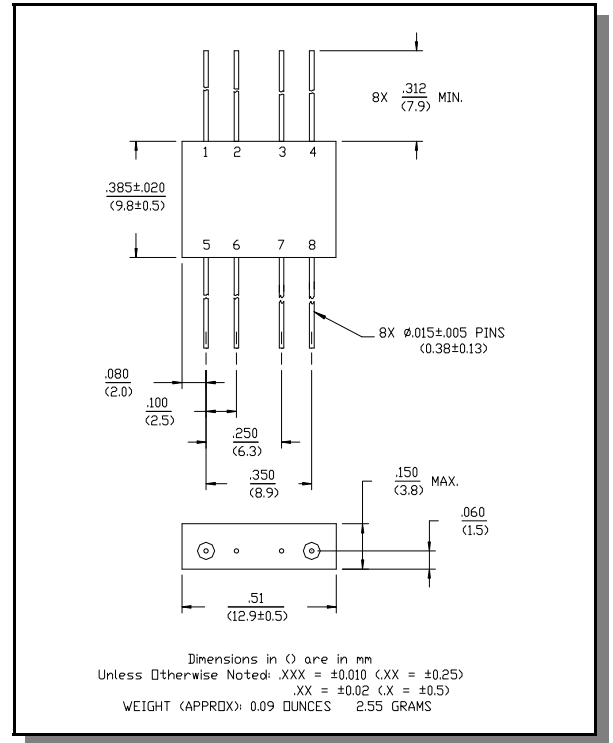
SF-1 (CHS-134)



Pin Configuration (CHS-134)

Pin No.	Function	Pin No.	Function
1	C	3	A
2	B	4	D

FP-2 (CH-134)



Pin Configuration (CH-134)

Pin No.	Function	Pin No.	Function
1	C	5	A
2	GND	6	GND
3	GND	7	GND
4	B	8	D

Electrical Specifications¹: $T_A = -55^{\circ}\text{C}$ to $+85^{\circ}\text{C}$

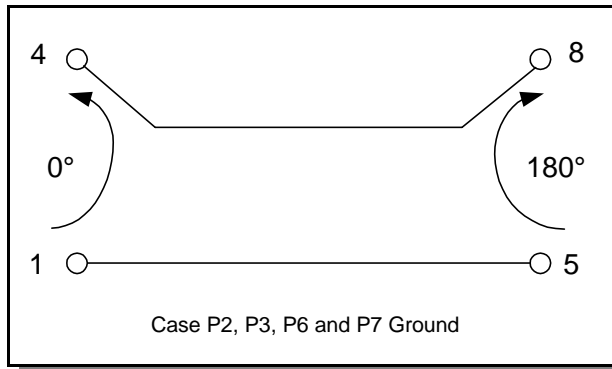
Parameter	Test Conditions	Frequency	Units	Min	Typ	Max
Coupling	Input to Output	—	dB	10.1	10.8	11.5
Coupling Flatness	—	—	dB	—	—	± 0.5
VSWR	All Ports	10 - 500 MHz 25 - 200 MHz	Ratio Ratio	— —	— —	1.8:1 1.5:1
Directivity	Both Directions	—	dB	20	—	—
Main Line Loss ²	—	—	dB	—	—	1.6
Input Power	—	—	Watt	—	—	1.0

1. All specifications apply with 50 ohm source and load impedance.

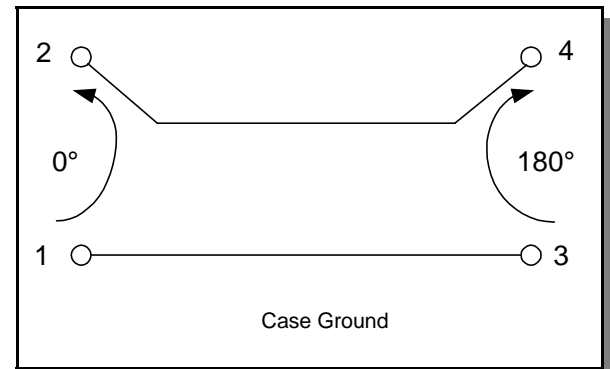
2. Includes theoretical power split.

This product contains elements protected by United States Patent number 3,426,298.

Functional Diagram (CH-134)



Functional Diagram (CHS-134)



M/A-COM Inc. and its affiliates reserve the right to make changes to the product(s) or information contained herein without notice. M/A-COM makes no warranty, representation or guarantee regarding the suitability of its products for any particular purpose, nor does M/A-COM assume any liability whatsoever arising out of the use or application of any product(s) or information.

Visit www.macom.com for additional data sheets and product information.

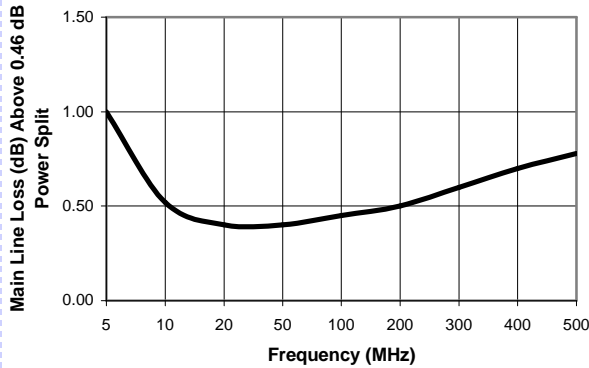
■ North America: Tel. (800) 366-2266
 ■ Asia/Pacific: Tel.+81-44-844-8296, Fax +81-44-844-8298
 ■ Europe: Tel. +44 (1344) 869 595, Fax+44 (1344) 300 020

tyco / Electronics

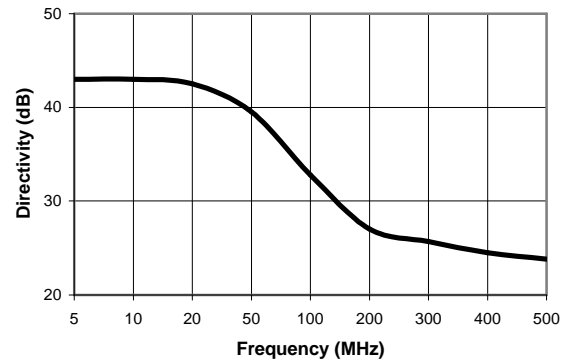
M/A-COM

Typical Performance Curves

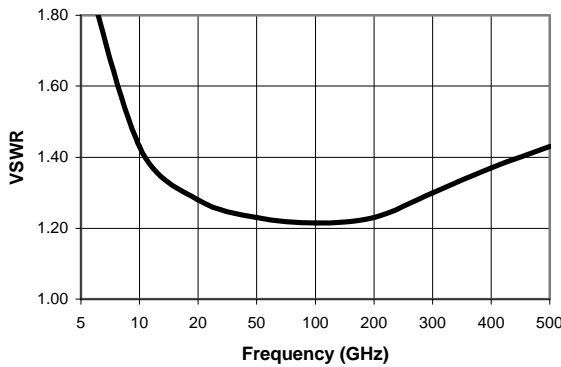
Main Line Loss



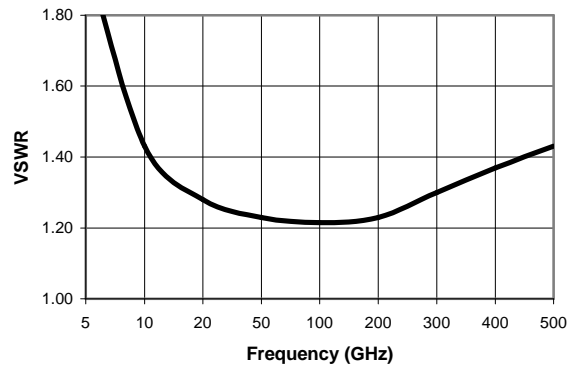
Directivity



VSWR



Coupling



Ordering Information

Part Number	Package
CH-134 PIN	FP-2
CHS-134 PIN	SF-1

M/A-COM Inc. and its affiliates reserve the right to make changes to the product(s) or information contained herein without notice. M/A-COM makes no warranty, representation or guarantee regarding the suitability of its products for any particular purpose, nor does M/A-COM assume any liability whatsoever arising out of the use or application of any product(s) or information.

Visit www.macom.com for additional data sheets and product information.

- North America: Tel. (800) 366-2266
- Asia/Pacific: Tel.+81-44-844-8296, Fax +81-44-844-8298
- Europe: Tel. +44 (1344) 869 595, Fax+44 (1344) 300 020